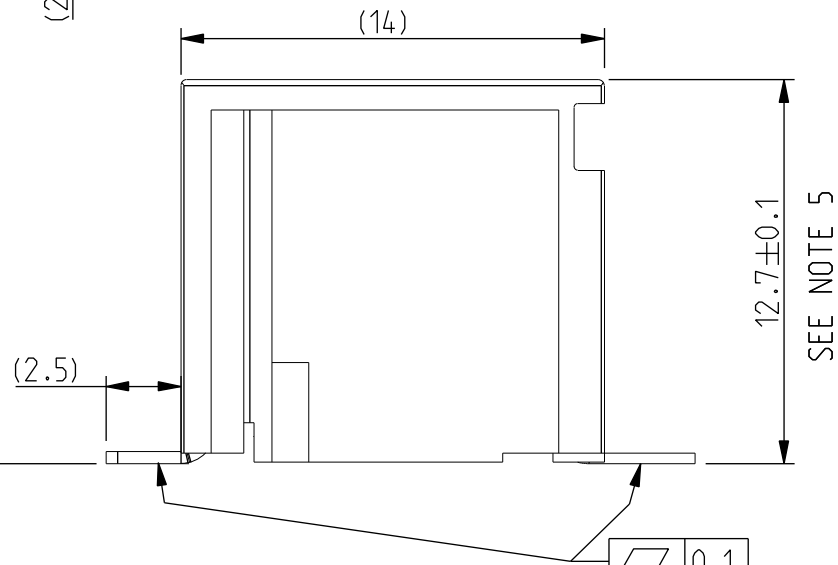
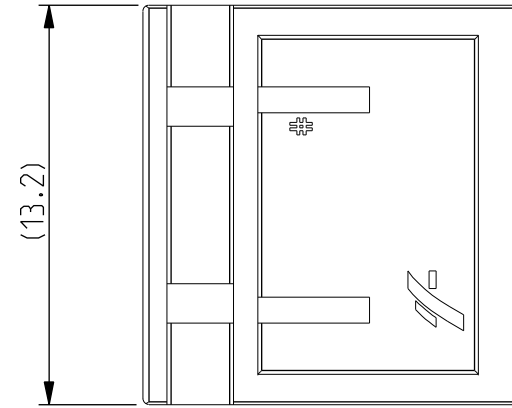
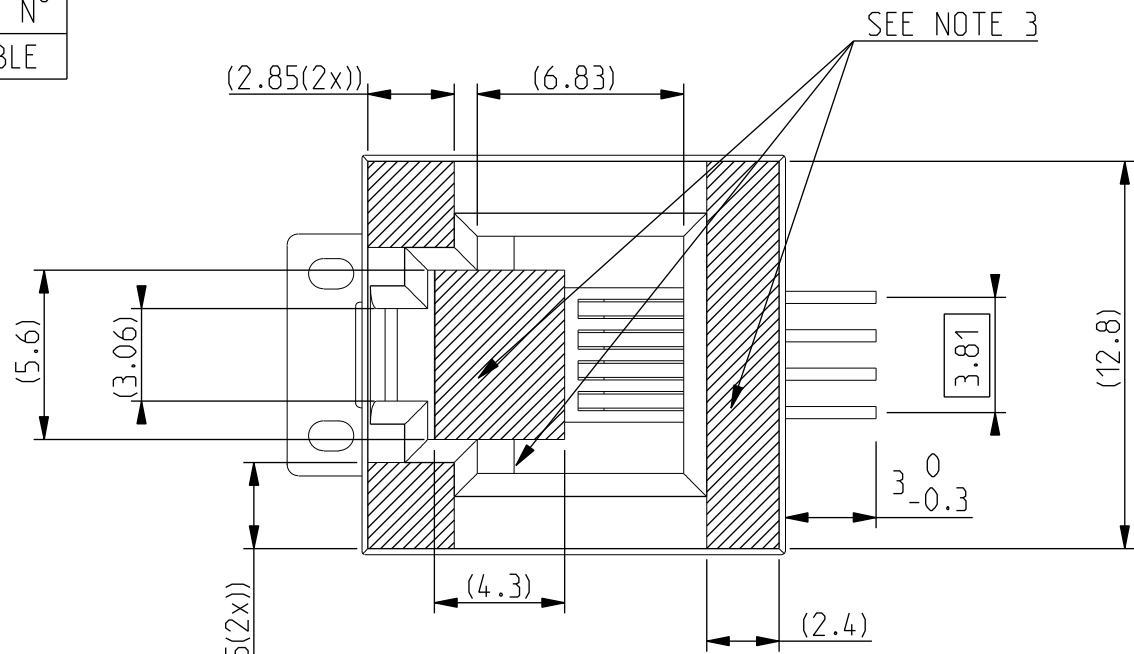
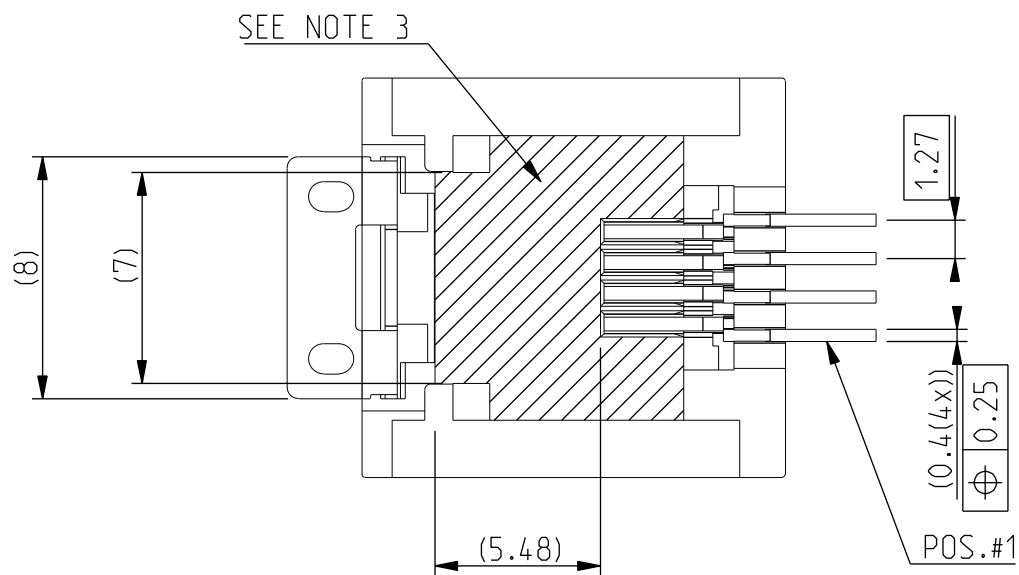
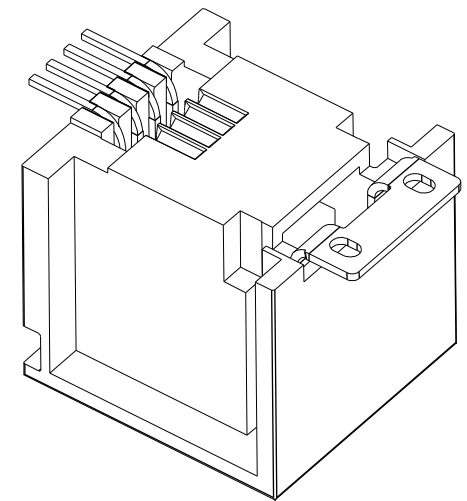
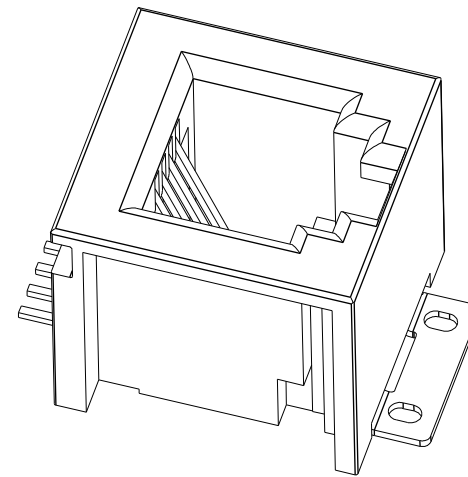


PRODUCT N°  
SEE TABLE



REFERENCE PLAN DEFINED BY THE BEARING SURFACE

SEE NOTE 6



rev	ecn no	dr	date
K	F05-0247	DLE	05.09.30
L	F06-0242	DLE	06.07.20
M	F08-0127	LSA	08-02-15
-	-	-	-
-	-	-	-
-	-	-	-
-	-	-	-

www.fciconnect.com			Surface ISO 1302	-	tolerance std ±0.13 ±2°	projection 	mm
TOLERANCES UNLESS OTHERWISE SPECIFIED							
Dr	D LEGRAND	02.09.12	ANGULAR	0.X	±Y	size A3	Scale 4:1
Eng	P NIZZI	03.09.24	LINEAR	0.XX	±Y	ECN	F06-0242
Chr	D LEGRAND	03.09.24	0° ±Y°	0.XXX	±Y	Spec ref	-
Appr	P NIZZI	03.09.24	Product family	MODULAR JACK			
FCI			title	VERTICAL SMT 4 POSITIONS		dwg no	98431
			catalog no	98431-XXX(E)	CUSTOMER STATUS: Released	sheet 1 of 2	Rev. M

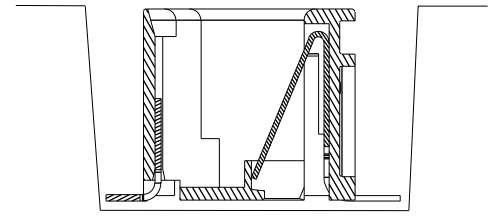
PRODUCT N°  
98431-XXXLF

CONTACT PLATING OPTION
1= GXT 0.76 μm
3= 0.76 μm GOLD
5= 1.27 μm GOLD

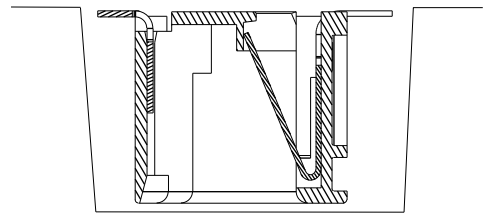
PACKAGE OPTIONS	VERSION
TAPE AND REEL PACKAGE 1= LOADED FACE UP	TOP
TAPE AND REEL PACKAGE 2= LOADED FACE DOWN	BOTTOM

TERMINAL LOADING OPTIONS
1= FULLY LOADED

WHEN NEEDED, SUFFIX LETTER "LF" INDICATES THE PRODUCT IS RoHS COMPATIBLE SEE NOTE 7.

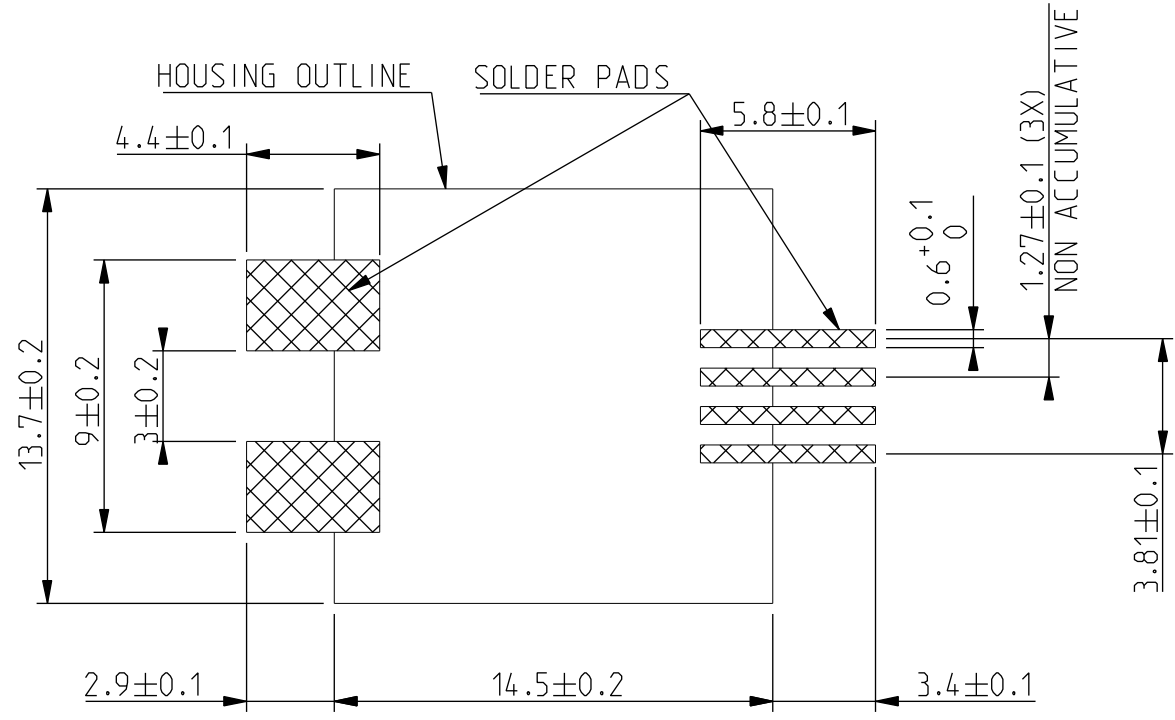


TOP VERSION



BOTTOM VERSION

- NOTES:
- 1 - MATERIAL:  
HOUSING: HIGH TEMP. PLASTIC, COLOR BLACK  
TERMINAL PHOSPHOR BRONZE
  - 2 - PLATING  
CONTACT AREA: OPTIONAL SEE TABLE  
SOLDER TAIL: SnPb 90/10 2 μm MIN  
NO RAW EDGES EXCEPT SOLDER TAILS TIPS
  - 3 - AREA FOR VACUUM PICK AND PLACE VENTURY
  - 4 - PACKAGING SPECIFICATION SEE TA 858
  - 5 - DIMENSION MEASURED FROM "A" TO THE TOP OF PRODUCT
  - 6 - COPLANARITY SEE TA 861.
  - 7 - RoHS COMPATIBLE PRODUCT SPECIFICATIONS
  - a - PLATING:  
- "LF" MEANS THE PRODUCT IS LEAD-FREE,  
2 μm MINIMUM MATTE TIN OVER 1.27 μm  
MINIMUM NICKEL UNDERPLATE.
  - b - MANUFACTURING PROCESS COMPATIBILITY:  
- THE HOUSING WILL WITHSTAND EXPOSURE TO  
245 °C PEAK TEMPERATURE FOR 30 SECONDS  
MAX IN A CONVECTION, INFRA-RED OR VAPOR  
PHASE OR REFLOW OVEN.
  - c - LABELLING:  
- MEETS PACKAGING SPECS AS PER GS-14-920.
  - d - LEGAL STATEMENT: SEE GS-22-008



RECOMMENDED PCB FOOTPRINT

www.fciconnect.com			surface ISO 1302	tolerance std ±0.13 ±2°	projection mm
TOLERANCES UNLESS OTHERWISE SPECIFIED					
Dr	D LEGRAND	02.09.12	ANGULAR	0.X	±Y
Eng	P NIZZI	03.09.24		0.XX	±Y
Chr	D LEGRAND	03.09.24	0° ±Y°	0.XXX	±Y
Appr	P NIZZI	03.09.24	Product family MODULAR JACK		Spec ref -
FCI			title VERTICAL SMT 4 POSITIONS		Rev. M
catalog no			98431-XXX(LF)		sheet 2 of 2

Copyright FCI.